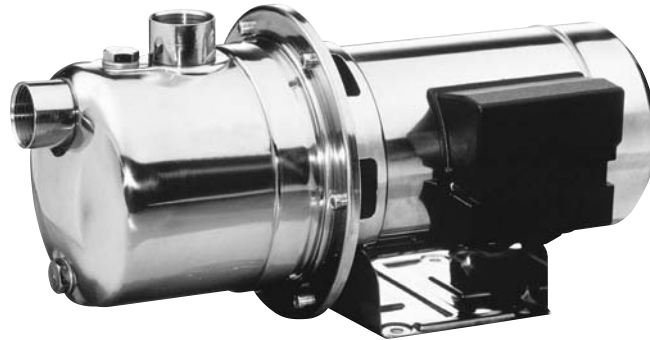


Self-priming Jet pumps manufactured in stainless steel AISI 304, suitable for water supply, domestic pressure boosting and small irrigation systems, pool and tank emptying and general clean water pumping.



### SPECIFICATIONS

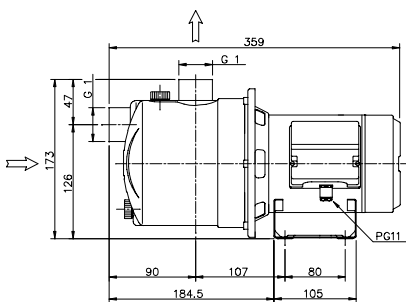
- Maximum working pressure: 6 bar
- Maximum liquid temperature:  
35°C according EN 60335-2-41 for domestic uses  
45°C for other uses

### MATERIALS

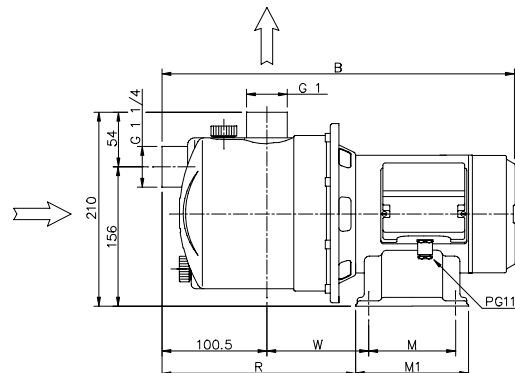
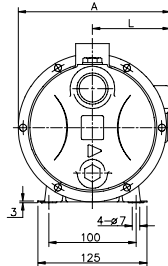
- Pump body, bracket, casing cover, motor casing and fan cover in AISI 304
- Shaft in AISI 303
- Impeller in AISI 304 for JE, in tecnopolymer for JES
- Mechanical seal in carbon/ceramic/NBR

### TECHNICAL DATA

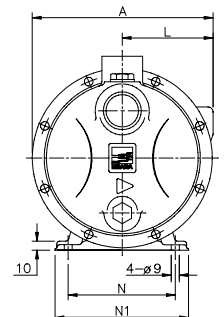
- T.E.F.C. 2 poles motor
- Insulation class F
- Protection degree IP44
- 1~230V ± 10% 50Hz, 3~230/400V ±10% 50Hz
- Permanent split capacitor and automatic thermal overload protection for single-phase version
- Thermal protection to be provided by the user for three-phase version
- DNA 1" for JES, 1 1/4" for JE
- DNM 1"



JES



JE

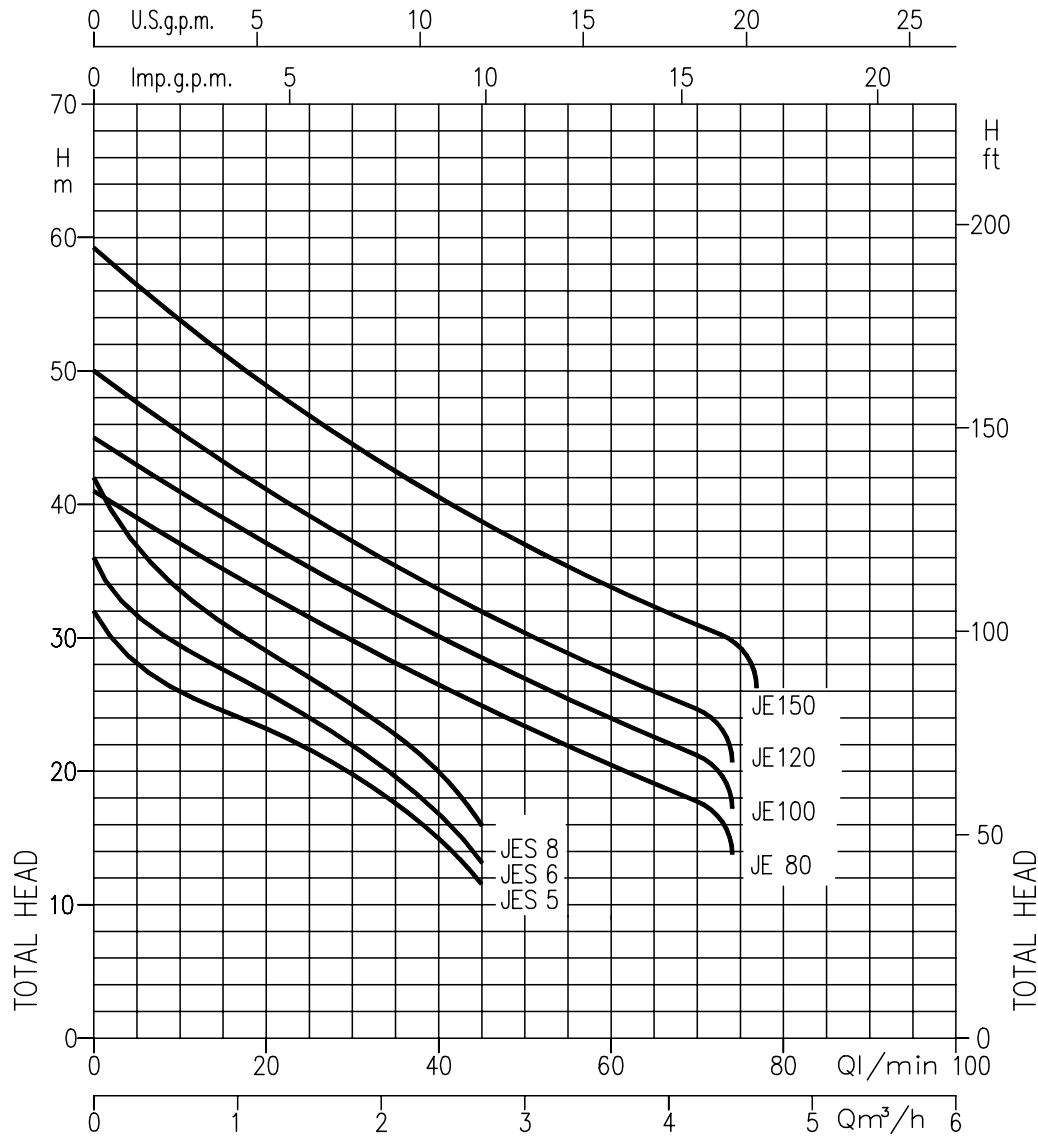


### DIMENSIONAL TABLES

| Pump type    |             | Dimensions (mm) |     |    |    | Weight<br>kg |
|--------------|-------------|-----------------|-----|----|----|--------------|
|              |             | A               |     | L  |    |              |
| Single-phase | Three-phase | 1~              | 3~  | 1~ | 3~ |              |
| JESM 5       | JES 5       | 181             | 177 | 96 | 92 | 5,6          |
| JESM 6       | JES 6       | 181             | 177 | 96 | 92 | 5,8          |
| JESM 8       | JES 8       | 181             | 177 | 96 | 92 | 6            |

| Pump type    |             | Dimensions (mm) |     |     |     |     |     |     |     |     |       | Weight<br>kg |      |
|--------------|-------------|-----------------|-----|-----|-----|-----|-----|-----|-----|-----|-------|--------------|------|
|              |             | A               | B   | L   | M   | M1  | N   | N1  | R   | W   |       |              |      |
| Single-phase | Three-phase | 1~              | 3~  |     | 1~  | 3~  |     |     |     |     |       |              |      |
| JEM 80       | JE 80       | 209             | 205 | 401 | 105 | 101 | 100 | 130 | 120 | 150 | 213,5 | 128          | 12   |
| JEM 100      | JE 100      | 209             | 205 | 432 | 105 | 101 | 100 | 130 | 120 | 150 | 228,5 | 143          | 13,5 |
| JEM 120      | JE 120      | 209             | 205 | 432 | 105 | 101 | 100 | 130 | 120 | 150 | 228,5 | 143          | 13,5 |
| JEM 150      | JE 150      | 214             | 214 | 439 | 110 | 110 | 120 | 150 | 140 | 170 | 231   | 145,5        | 15,5 |

### PERFORMANCE CURVES (according to ISO 9906 Annex A)



### PERFORMANCE TABLE

| Pump type                 |                              | kW   | Capacitor |                | Absorbed Current (A) |                          |      | l/min<br>m³/h | Q=Capacity |      |      |      |      |      |      |      |    |  |
|---------------------------|------------------------------|------|-----------|----------------|----------------------|--------------------------|------|---------------|------------|------|------|------|------|------|------|------|----|--|
| Single-phase<br>230V 50Hz | Three-phase<br>230/400V 50Hz |      | μF        | V <sub>c</sub> | Single-phase         | Three-phase<br>230V 400V |      |               | 5          | 20   | 30   | 40   | 45   | 50   | 60   | 70   | 75 |  |
|                           |                              |      |           |                |                      |                          |      | H=Total head  |            |      |      |      |      |      |      |      |    |  |
| JESM 5                    | JES 5                        | 0,37 | 10        | 450            | 2,1                  | 1,5                      | 0,85 | 28            | 23         | 20   | 15   | 11,5 | -    | -    | -    | -    |    |  |
| JESM 6                    | JES 6                        | 0,44 | 10        | 450            | 2,4                  | 1,9                      | 1,1  | 31,5          | 26         | 22   | 17   | 13,5 | -    | -    | -    | -    |    |  |
| JESM 8                    | JES 8                        | 0,6  | 12,5      | 450            | 3,0                  | 2,25                     | 1,3  | 37            | 29         | 25   | 20   | 16   | -    | -    | -    | -    |    |  |
| JEM 80                    | JE 80                        | 0,6  | 16        | 450            | 4,7                  | 3,3                      | 1,9  | 39            | 33         | 29   | 26,5 | 25   | 23,5 | 20,5 | 18   | -    |    |  |
| JEM 100                   | JE 100                       | 0,75 | 20        | 450            | 6,4                  | 4,5                      | 2,6  | 43            | 37         | 33,5 | 30   | 28   | 27   | 24   | 21   | -    |    |  |
| JEM 120                   | JE 120                       | 0,88 | 20        | 450            | 6,7                  | 4,7                      | 2,7  | 47,5          | 41         | 37   | 34   | 32   | 30,5 | 27,5 | 24,5 | -    |    |  |
| JEM 150                   | JE 150                       | 1,1  | 31,5      | 450            | 7,6                  | 5,6                      | 3,3  | 56            | 49         | 44,5 | 40,5 | 38,5 | 37   | 34   | 31   | 29,5 |    |  |